

VCM10002BSPT

TECHNICAL DATA SHEET

1/8 BSPT COUPLING BODY (NON VALVED)

Part #: VCL10002BSPT

Connection Type: In Line Pipe Threaded

Material: Brass

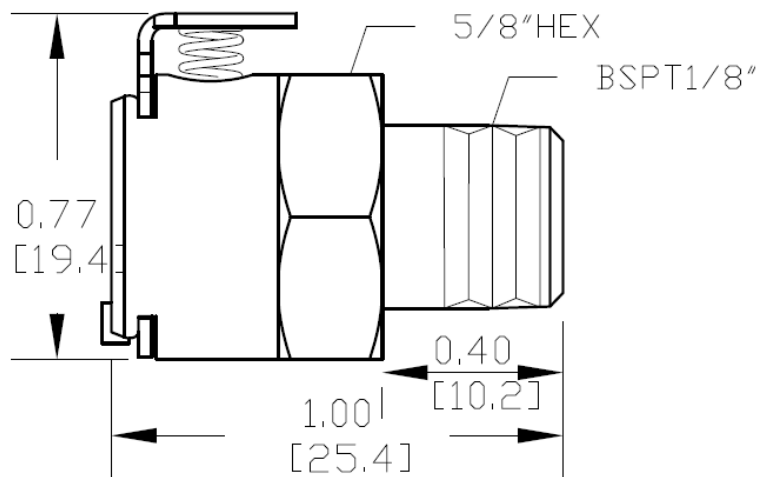
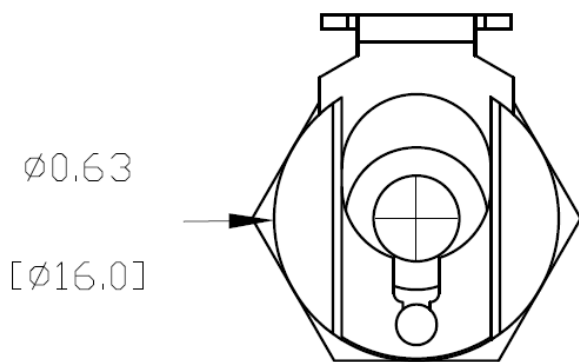
Material Finish: Chrome Plated

Pressure Range: Vacuum to 250 psi, 17.3 bar

Temp. Range: -40°F to 180°F (-40°C to 82°C)

Mounting Option: Thread 1/8 BSPT

Valve Option: Non-Valved



Components:

Main Body: Chrome Plated Brass

Thumb Latch: Stainless Steel

External Spring: Stainless Steel